

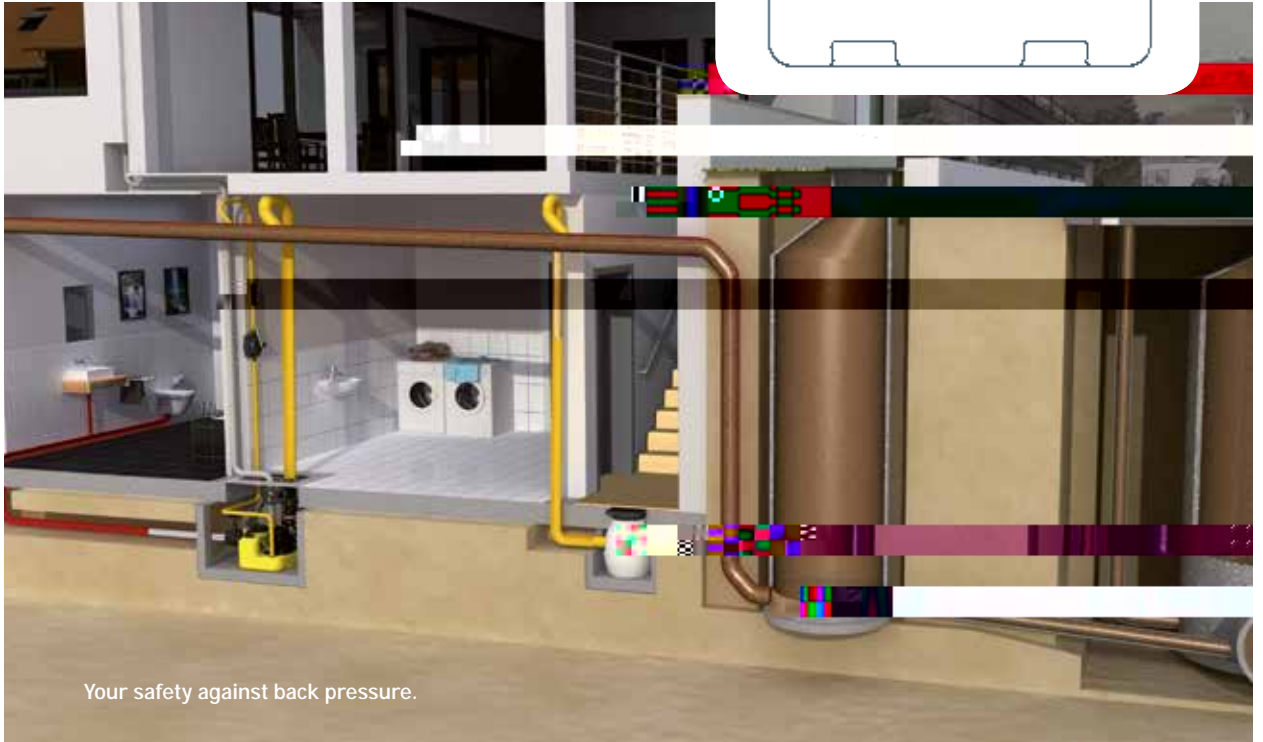
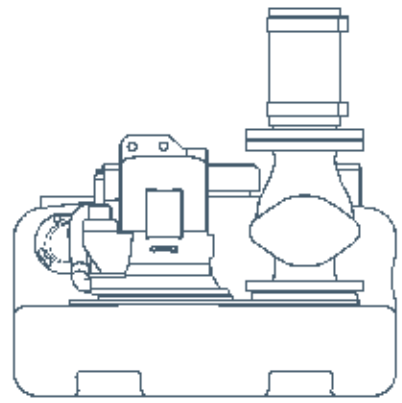


JUNG PUMPEN COMPLI





COMPLI SEWAGE LIFTING STATIONS READY TO PLUG-IN • POWERFUL

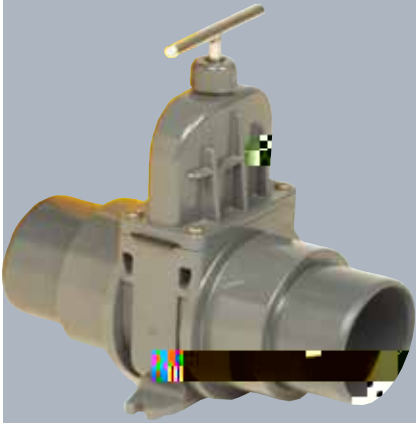


Your safety against back pressure.

NUMBERS - DATES - FACTS



Height adjustable clamping flange
complli 400



PVC inlet sluice valve
DN 100 or DN 150, with pipe sockets
bonded in, for the time-saving and
space-saving direct connection to the
inlet clamping flange.

COMPLI SEWAGE LIFTING STATIONS - C

Ile-VINher DN 100

